

400V/500Vdc, 5x20mm, Fast Acting, Ceramic Tube Fuses

HV530 Series

Description

- Fast Acting, high breaking capacity
- 5x20mm physical size
- Ceramic tube, Silver plated copper cap construction
- Designed to UL248-1
- Lead Free and Halogen free material



Electrical Characteristics			
Rated Current	1.0In	2.0In	4.0In
200mA – 600mA	4 hour min.	—	120 sec max.
1A – 20A	4 hour min.	120 sec max.	—

Specifications

Part No.	Rated Voltage		Rated Current	Breaking Capacity (A)		Typical Cold. Resistance (mOhms)	Typical Voltage Drop (mV)	Typical Pre-Arcing I ² t (A ² Sec)
	DC			400V	500V			
	HV530.0.2	400V		500V	200mA			
HV530.0.4	400mA		663		278	0.172		
HV530.0.5	500mA		382		190	0.287		
HV530.0.6	600mA		360		234	0.396		
HV530.1	1A		230		280	0.28		
HV530.1.6	1.6A		148		310	2.56		
HV530.2	2A		100		248	1.68		
HV530.2.5	2.5A		90		360	1.48		
HV530.3.15	3.15A		49		215	4.91		
HV530.4	4A		38		220	8		
HV530.5	5A		29		200	16		
HV530.6	6A		24		150	30		
HV530.6.3	6.3A		19		162	48		
HV530.8	8A		14		149	64		
HV530.10	10A		12		166	90		
HV530.12	12A		9.5		160	130		
HV530.15	—	—	15A	7.3	165	225		
HV530.20			20A	5	150	520		

* DC Cold Resistance are measured at <10% of rated current in ambient temperature of 25°C

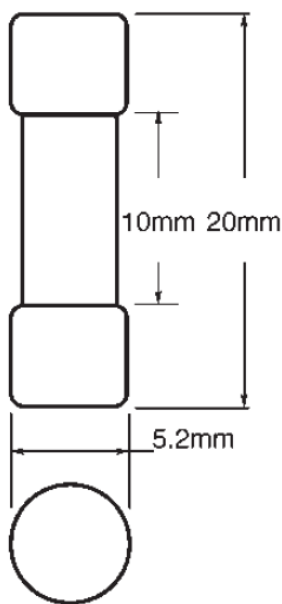
* Typical Pre-arcing I²t are measured at 10In Current

400V/500Vdc,5x20mm, Fast Acting, Ceramic Tube Fuses

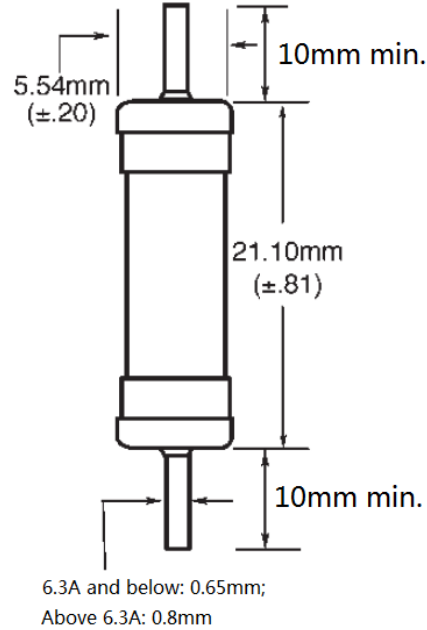
HV530 Series

Dimension

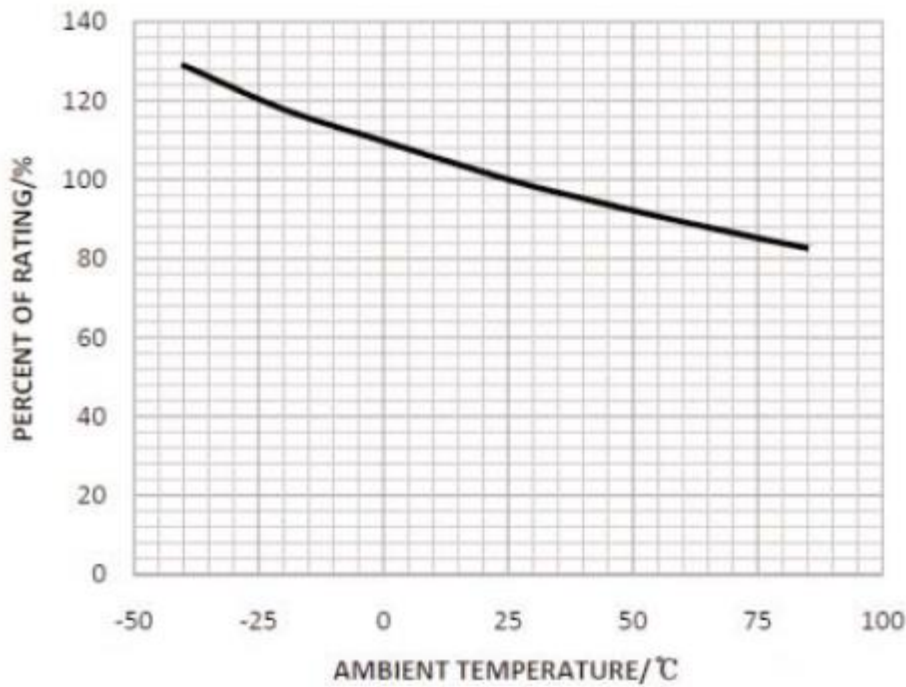
HV530.xxx



HV530.xxxP



Temperature Derating Curve



Package

cylindrical :(1A-3A) 40 pcs in one carton; other ratings is 500 pcs in one bag.

Leaded :100 pcs in one carton.

400V/500Vdc, 5x20mm, Fast Acting, Ceramic Tube Fuses

HV530 Series

Time-Current Characteristics

