

## 1000Vdc, 10x38mm, Photovoltaic Fuses HV110.PV Series

### Description

- 1000Vdc Fuse for Solar Applications
- 10x38mm physical size
- Designed to UL248-19(2579)
- Capable of withstanding high cycling and low level fault current conditions
- Lead Free material



### Specifications

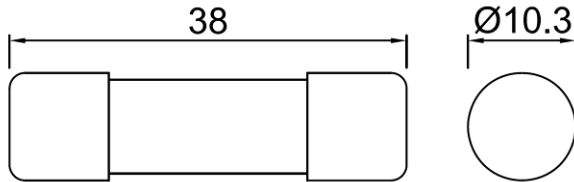
Specification							
Part No.	Rated Voltage	Rated Current	Breaking Capacity	Energy Integrals I <sup>2</sup> t (A <sup>2</sup> s)		Power Loss (W)	
	DC		DC	Pre-Arcing	Total at 1000V	0.8In	1.0In
HV110.PV1A	1000V	1A	10kA 30kA	0.15	0.4	0.8	1.5
HV110.PV2A		2A		1.3	3.4	0.7	1.1
HV110.PV3A		3A		4	12	0.8	1.3
HV110.PV3.5A		3.5A		6.5	20	0.9	1.4
HV110.PV4A		4A		10	28	1.1	1.4
HV110.PV5A		5A		19	50	1.1	1.4
HV110.PV6A		6A		32	93	1.2	1.8
HV110.PV8A		8A		85	205	1.2	2.2
HV110.PV10A		10A		30	70	1.3	2.3
HV110.PV12A		12A		98	150	1.5	2.8
HV110.PV15A		15A	149	230	1.8	3	
HV110.PV20A		20A	229	330	2.4	3.6	
HV110.PV25A		25A	411	500	2.6	4.1	
HV110.PV30A		30A	1200	2500	4.3	5.7	

- DC Cold Resistance are measured at <10% of rated current in ambient temperature of 25°C
- Typical Pre-arcing I<sup>2</sup>t are measured at 10In Current

# 1000Vdc, 10x38mm, Photovoltaic Fuses HV110.PV Series

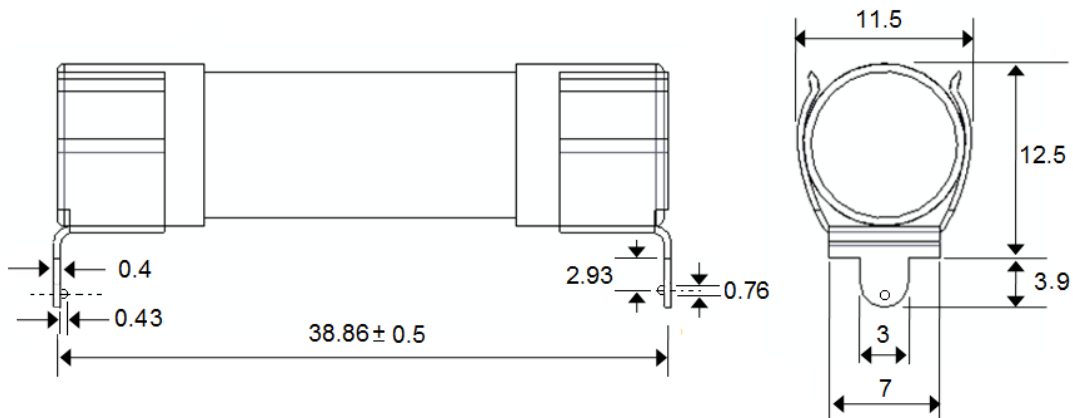
## Dimension

Standard cylindrical (Ordering code: HV110.PVxxA):

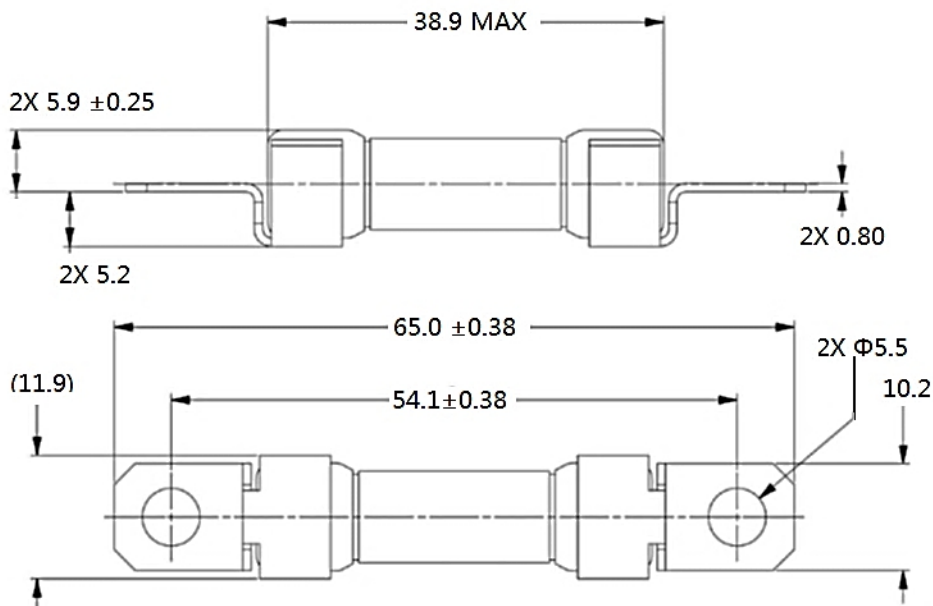


Note: Fuse clip order code: AC-10P

With PCB wave-soldering terminals (Ordering code – HV110.PVxxA-TH)

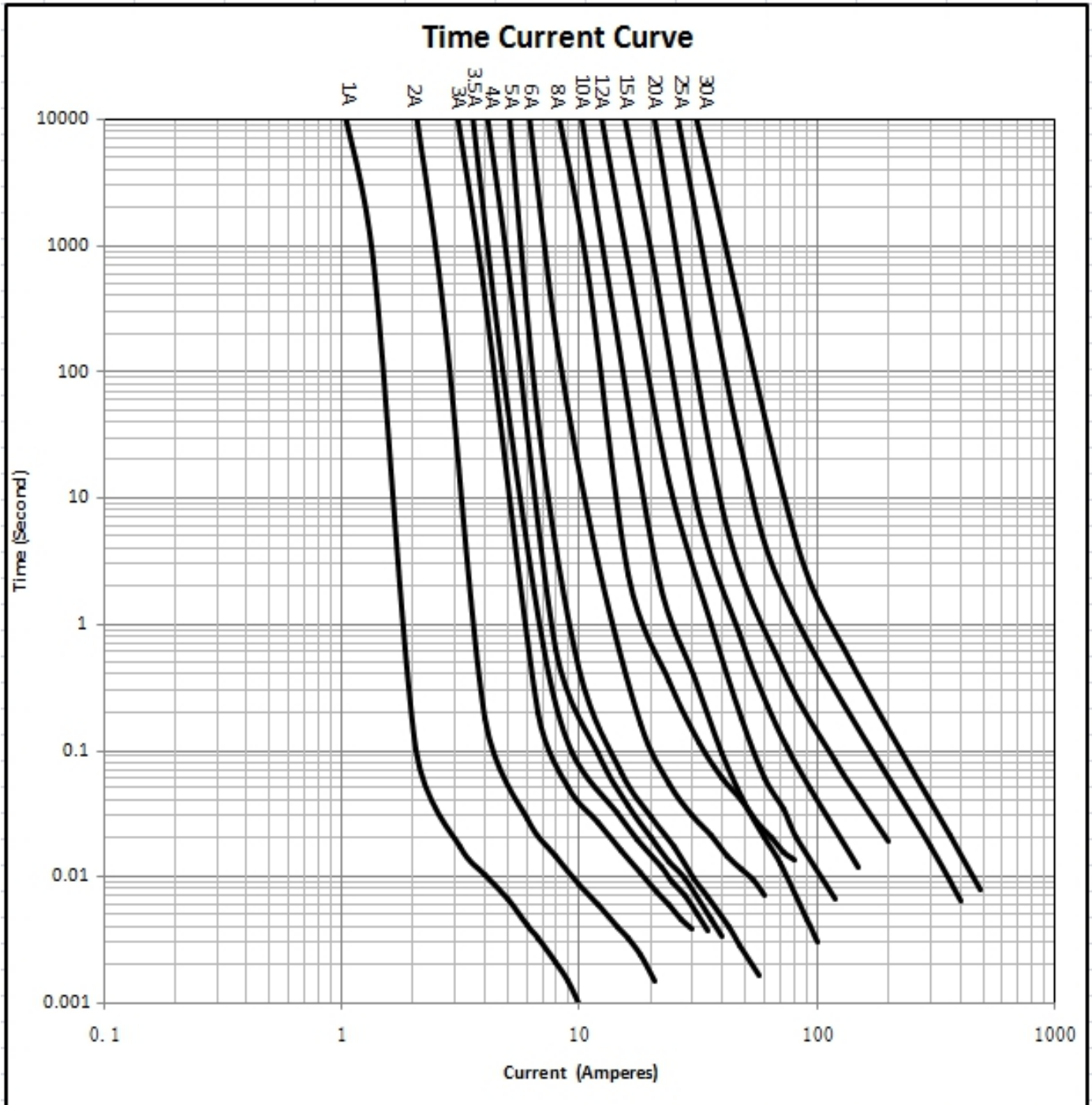


Bolt fixing (Ordering code: HV110.PVxxA-AP):



1000Vdc, 10x38mm, Photovoltaic Fuses  
 HV110.PV Series

**Time-Current Characteristics**



**Package**  
 10 fuses in one carton (cylindrical); 20 fuses in one carton (AP terminal)